

ZECA

Z

TECHNICAL EXCELLENCE. SINCE 1929.

HOSE REELS

SERIE 8400

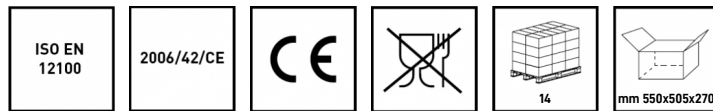
ART. 8427/1111

Hose length (m)
20

Hose internal diameter (mm)
12,5 mm (1/2")

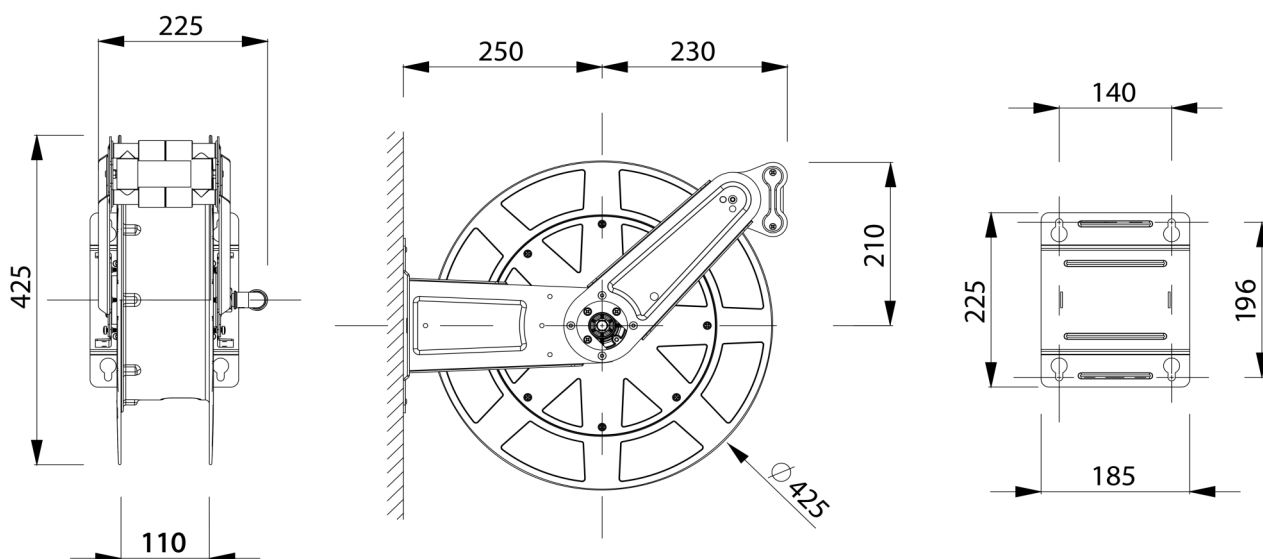
Tube type
KPU

Maximum pressure
20 bar



TECHNICAL DATA

Article	Hose internal diameter (mm)	Hose length (m)	Maximum pressure	End fitting	Temperature	Incoming connection	Tube type	Tube colour	Fluid type
8427/1111	12,5 mm (1/2")	20	20 bar	1/2" M	-15°C/+50°C	1/2" F	KPU	BLUE	Air - Water

OVERALL DIMENSIONS**Technical features**

- SS AISI 304 bracket
- SS inlet rotary coupling and fitting
- SS outlet fitting
- SS screws

The Full INOX hose reels are suitable for various fields of application, from the food sector, to the nautical and chemical sectors, to aggressive work environments with corrosive atmospheres. Ideal for industrial cleaning, blowing and transport of fluids such as oil and AdBlue.

OPTIONAL ACCESSORIES AND SPARE PARTS**ART. 8400/SL**

voltage

Inlet tube 60 cm - 20 bar - 1/2" SAE 100 R6 - 1/2" M and 1/2" F fittings swivel

ART. 8400/SK

Spezzone tubo ingresso

Spezzone tubo ingresso 60 cm - 20 bar - 1/2" KPU - raccordi 1/2" M and 1/2" F girevole

ART. 8400/SH

Spezzone tubo ingresso

Spezzone tubo ingresso 60 cm - 200 bar - 3/8" 1SC nero - raccordi 3/8" M and 3/8" F girevole

OPTIONAL
ACCESSORIES AND
SPARE PARTS

ART. 8400/CY

Coil cover
Yellow coil cover



ART. 8400/CB

Coperchio bobina
Coperchio bobina nero



ART. 8400/SW

Staffa orientabile
Staffa orientabile



ART. 8400/SWI

Staffa orientabile
Staffa orientabile in acciaio INOX

