

ZECA

TECHNICAL EXCELLENCE. SINCE 1929.

HOSE REELS

SERIE 8400

ART. 8442

Hose length (m)
15

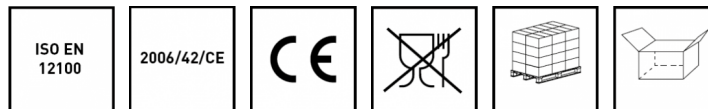
Hose internal diameter (mm)
10 mm (3/8")

Tube type
EN 857 1SC Black

Maximum pressure
180 bar

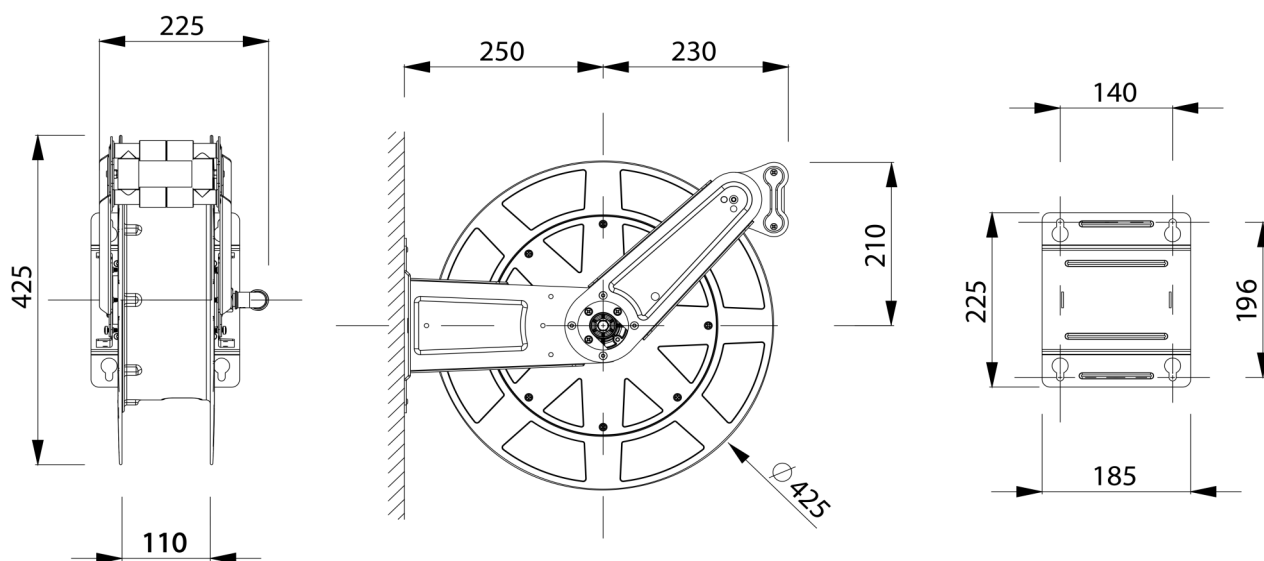


Compliance with Directive 2014/34/UE
II 2GD C IIB T6/T85°C X
Type Examination Certificate Number IMQ 15 ATEX 002 X
Compliance with EN 13463-1:2009; EN 13463-5:2011



TECHNICAL DATA

Article	Hose internal diameter (mm)	Hose length (m)	Maximum pressure	End fitting	Temperature	Incoming connection	Tube type	Tube colour	Fluid type
8442	10 mm (3/8")	15	180 bar	3/8" F swivelling	-15°C/+130°C	3/8" F	EN 857 1SC Black	BLACK	Oil - Water

OVERALL DIMENSIONS**Technical features**

- Steel epoxy powder painted bracket
- Standard coupling
- Brass outlet fitting
- Steel screws

OPTIONAL ACCESSORIES AND SPARE PARTS**ART. 8400/SL**

voltage

Inlet tube 60 cm - 20 bar - 1/2" SAE 100 R6 - 1/2" M and 1/2" F fittings swivel

ART. 8400/SK

Spezzone tubo ingresso

Spezzone tubo ingresso 60 cm - 20 bar - 1/2" KPU - raccordi 1/2" M and 1/2" F girevole

ART. 8400/SH

Spezzone tubo ingresso

Spezzone tubo ingresso 60 cm - 200 bar - 3/8" 1SC nero - raccordi 3/8" M and 3/8" F girevole

OPTIONAL
ACCESSORIES AND
SPARE PARTS

ART. 8400/CY

Coil cover
Yellow coil cover



ART. 8400/CB

Coperchio bobina
Coperchio bobina nero



ART. 8400/SW

Staffa orientabile
Staffa orientabile



ART. 8400/SWI

Staffa orientabile
Staffa orientabile in acciaio INOX

